

Steel Cementitious Panel - SC HPL System

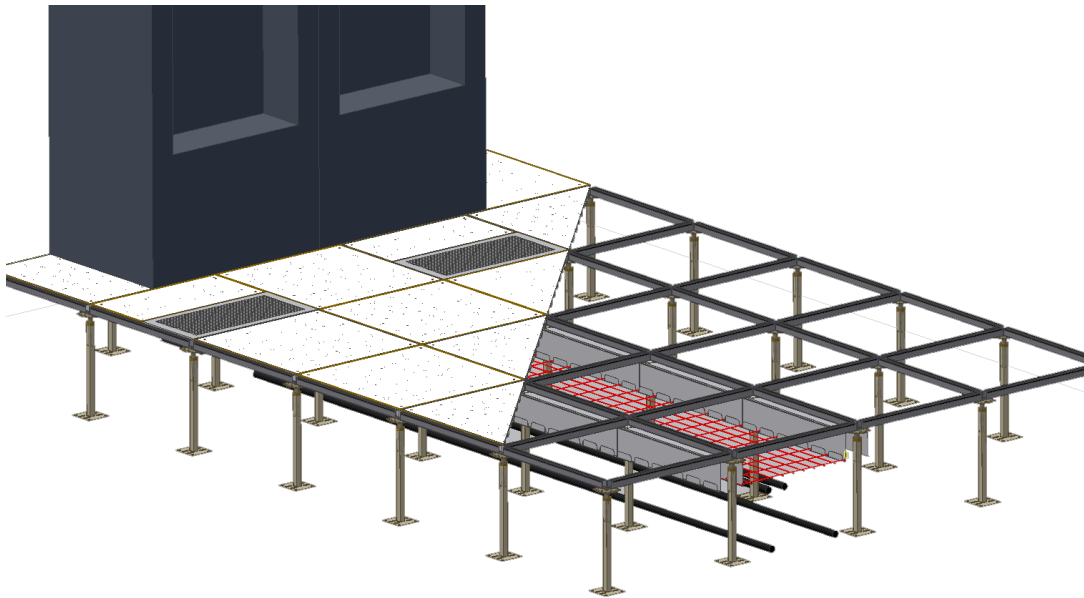
System Overview:

The SC HPL System is designed for those applications used for computer/data/comms switch room applications incorporating a 1.6mm thick anti-static HPL covering.

The HPL protects individuals from voltage shorts that can occur with electrical equipment on an access floor and also creates an electrostatic discharge which helps prevent buildup of the static electricity which can cause damage to the equipment.

System Applications:

Switch/Data/Comms/Computer Room environment like applications:



Design Features

Gravity Fixed Panels:

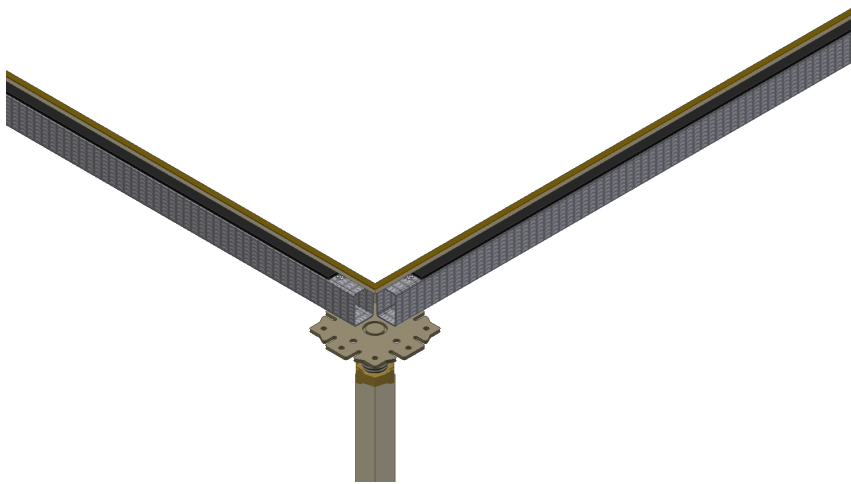
Panels are gravity fixed to the understructure with stringers providing location and extra strength.

HPL Finish

1.6mm high pressure laminate finish applied to panel in ASP standard finish. Custom and specialised HPL colours available upon request. The HPL panel is then finished with a brown edge, which is designed to eliminate panel chipping and delamination.

Powder Coating, Nickel Plating and Hot Dipped Galvanised Stringers

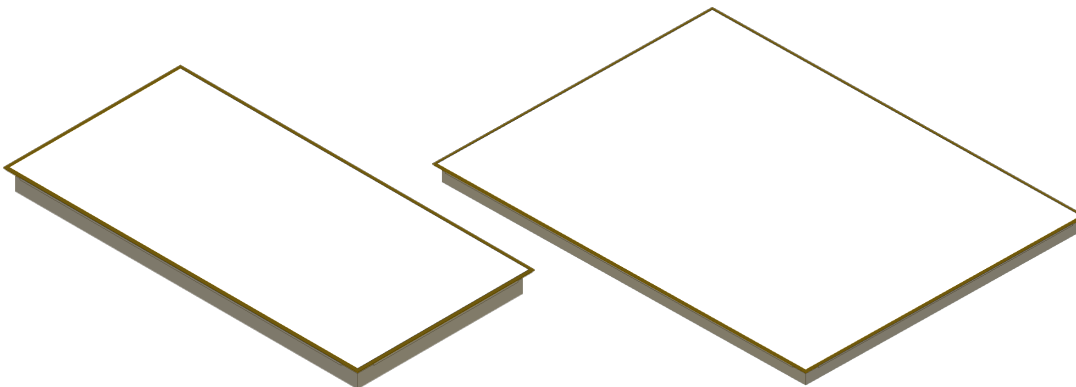
For specialised sensitive areas such as clean rooms and data centres, ASP has introduced powder coated panels and pedestal tube's as well as nickel chrome plated pedestal heads, threaded rod and nuts. The stringers are hot dipped galvanised. This specialised finish is available upon request.



Finishing Panels

Full bearing 600 x 300mm and 600 x 800mm panels designed to minimise small off cuts experienced with cutting around equipment and finishing off to the perimeter.

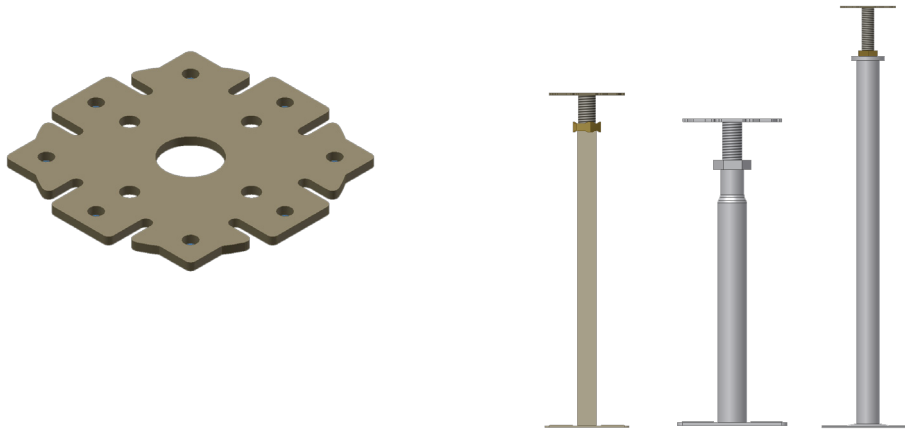
The 600 x 300mm panel may also be used when there is a necessity for a 300 x 600mm air grille.



System Understructure

Pedestal: S8, S8-UK, S11

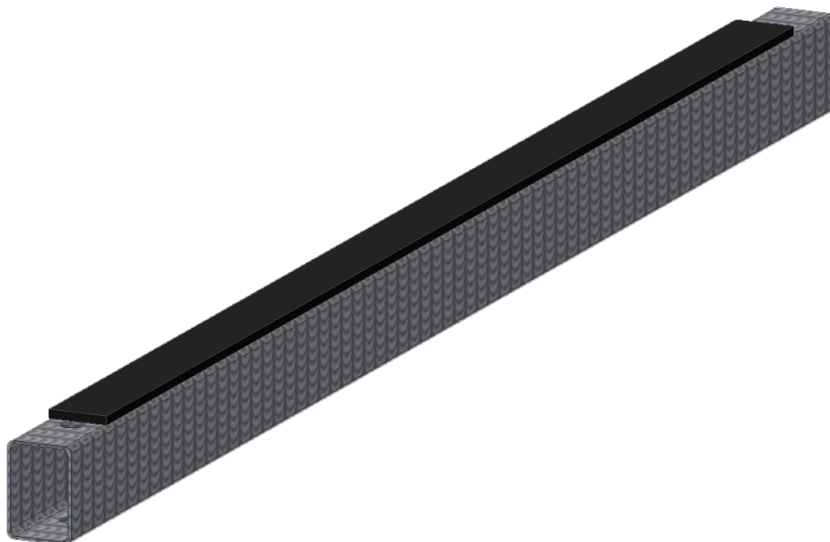
The pedestal head remains the same for the entire system, where only minor changes are made to the pedestal tubes to suit the desired FFH.



Stringer: SC-S600

The stringer design is the same throughout the range. Predrilled holes at the end of each side allow the stringer to be screw fixed onto the pedestal head forming a rigid grid system.

The top of the stringer comprises of 3mm sponge rubber foam providing a buffer between the stringer and the panel.



Load Tolerances - For 600 x 600 standard panels and specialised finishing panels

Heavy Grade Panel: SC 4.5kN

Panel Grade	Concentrated Load	Uniform Load	Ultimate Load	Impact Load
Heavy Grade	4.5 kN	12 kN/m ²	16.9 kN	670 N
Rolling Loads	75 x 25mm 10 passes	150 x 50mm 10,000 passes		200 x 75mm 250,000 passes
	4.5 kN	3.6 kN		2.25 kN

Extra Heavy Grade: SC 5.6kN

Panel Grade	Concentrated Load	Uniform Load	Ultimate Load	Impact Load
Extra Heavy Grade	5.6 kN	14.4 kN/m ²	22.2 kN	670 N
Rolling Loads	75 x 25mm 10 passes	150 x 50mm 10,000 passes		200 x 75mm 500,000 passes
	5.6 kN	4.5 kN		2.25 kN

Industrial Grade: SC 6.6kN

Panel Grade	Concentrated Load	Uniform Load	Ultimate Load	Impact Load
Industrial Grade	6.6 kN	18 kN/m ²	26.7 kN	670 N
Rolling Loads	75 x 25mm 10 passes	150 x 50mm 10,000 passes		200 x 75mm 750,000 passes
	6.6 kN	5.6 kN		2.25 kN

Heavy Industrial Grade: SC 8.8kN

Panel Grade	Concentrated Load	Uniform Load	Ultimate Load	Impact Load
Extra Heavy Grade	8.8 kN	24 kN/m ²	31.1 kN	670 N
Rolling Loads	75 x 25mm 10 passes	150 x 50mm 10,000 passes		200 x 75mm 1,000,000 passes
	8.8 kN	8.0 kN		2.25 kN

Super Industrial Grade: SC 11kN

Panel Grade	Concentrated Load	Uniform Load	Ultimate Load	Impact Load
Super Industrial Grade	11 kN	28.2 kN/m ²	35.9 kN	670 N
Rolling Loads	75 x 25mm 10 passes	150 x 50mm 10,000 passes		200 x 75mm 1,000,000 passes
	11 kN	10 kN		2.25 kN

Testing Data:

1. The above results have been obtained from independent testing and have been tested in accordance to AS4154-1993 (General Access Floor (Elevated Floors)) and CISCA strict guidelines and regulations.
2. As stated in the standards, the above mentioned panel deflection must not exceed 2.4mm based on a 24hr testing. In addition to this the above working loads for each panel carries a safety factor of 3 x the working load.

All ASP products are thoroughly tested and certified by qualified engineers. If you require further information please contact the technical team at ASP on (02) 9620 9915 or visit our contact page on www.aspfloors.com.au