

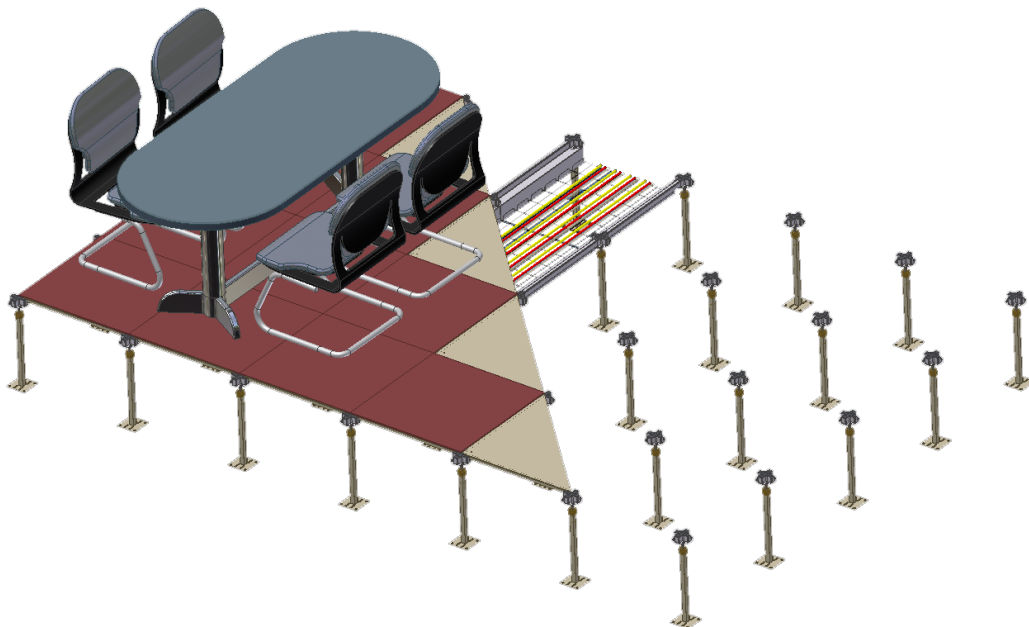
Steel Cementitious Panel - SC Ultra Fix System Overview

The SC Ultra fix panel is the most specified panel which is regarded as the standard system for general office like applications. This is a stringer less system where the panels are screw fixed onto the pedestal heads.

This system is widely used for power and data cable management, and also for applications where there is a need for an under floor baffle/plenum or air highway.

System Applications:

*General Offices
Banks
Learning Institution
Libraries
Casinos*



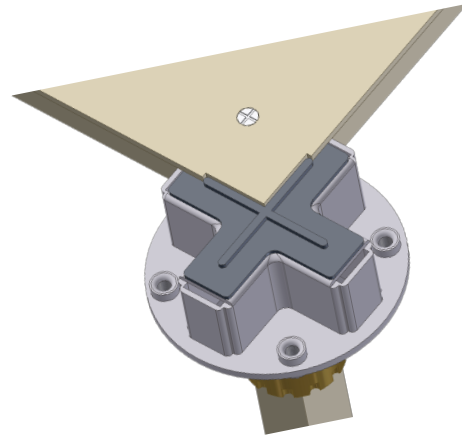
Design Features

In-built Expansion Joint and Cut Out:

The panel has a special expansion cut out, and the pedestal head is fitted with an expansion gasket designed to keep the panels separated by 0.3mm at all times. This eliminates the panels clicking or rubbing up against each other during expansion.

4 Corner Screw Panel

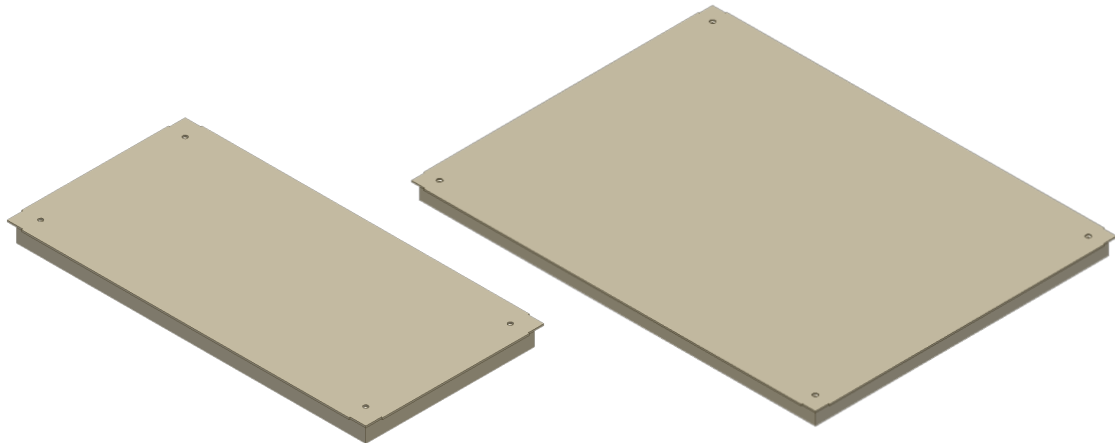
Screw holes in each corner to allow panels to be individually screw fixed providing greater rigidity as well as easier faster access.



Finishing Panels

Full bearing 600 x 300mm and 600 x 800mm panels designed to minimise small off cuts experienced with cutting around columns and finishing off to the perimeter.

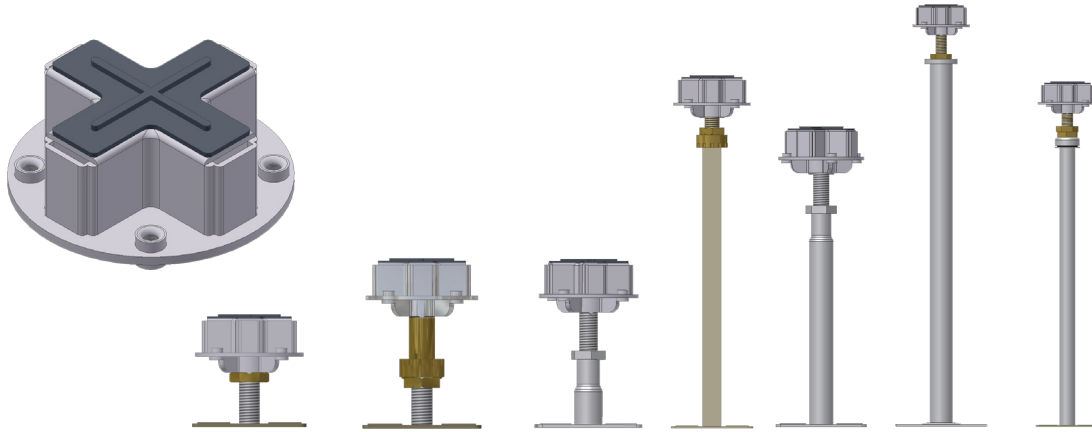
The 600 x 300mm panel may also be used when there is a necessity for a 300 x 600mm air grille.



System Understructure

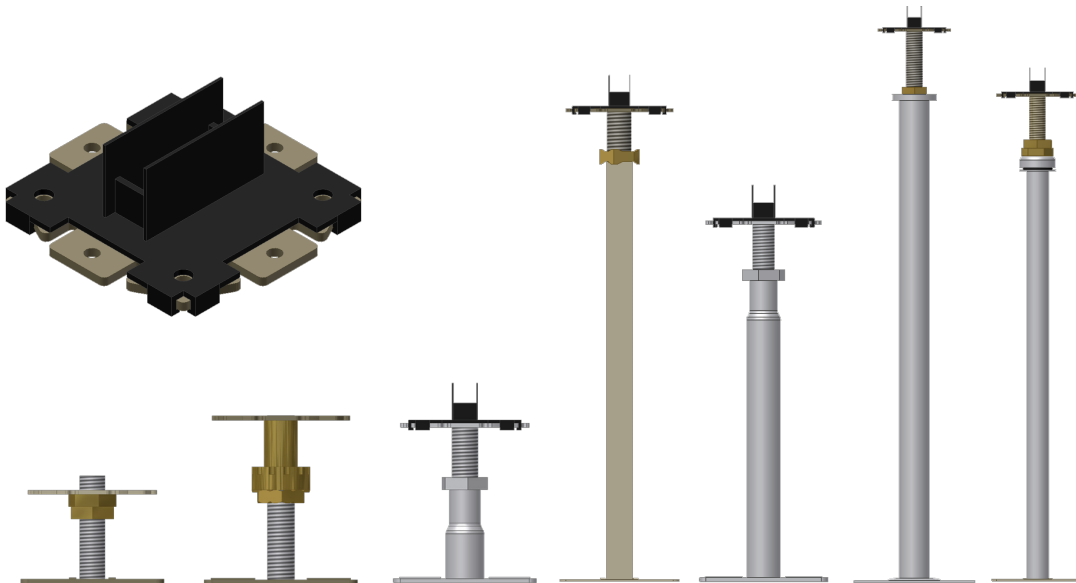
Field Pedestal: S1, S3, S3-UK, S5, S5-UK, S11, S14

The pedestal head remains the same for the entire system, where only minor changes are made to the pedestal tubes to suit the desired FFH.



Perimeter Pedestal: S2, S4, S4-UK, S6, S6-UK, S11, S15

The pedestal head remains the same for the entire system, where only minor changes are made to the pedestal tubes to suit the desired FFH.



Load Tolerances - For 600 x 600 standard panels and specialised finishing panels

Medium Grade Panel: SC 3.6kN

Panel Grade	Concentrated Load	Uniform Load	Ultimate Load	Impact Load
Medium Grade	3.6 kN	9.4k N/m ²	14.7 kN	670 N
Rolling Loads	75 x 25mm 10 passes	150 x 50mm 10,000 passes		200 x 75mm 40,000 passes
	3.6 kN	2.7 kN		2.25 kN

Heavy Grade Panel: SC 4.5kN

Panel Grade	Concentrated Load	Uniform Load	Ultimate Load	Impact Load
Heavy Grade	4.5 kN	12 kN/m ²	16.9 kN	670 N
Rolling Loads	75 x 25mm 10 passes	150 x 50mm 10,000 passes		200 x 75mm 250,000 passes
	4.5 kN	3.6 kN		2.25 kN

Extra Heavy Grade: SC 5.6kN

Panel Grade	Concentrated Load	Uniform Load	Ultimate Load	Impact Load
Extra Heavy Grade	5.6 kN	14.4 kN/m ²	22.2 kN	670 N
Rolling Loads	75 x 25mm 10 passes	150 x 50mm 10,000 passes		200 x 75mm 500,000 passes
	5.6 kN	4.5 kN		2.25 kN

Industrial Grade: SC 6.6kN

Panel Grade	Concentrated Load	Uniform Load	Ultimate Load	Impact Load
Industrial Grade	6.6 kN	18 kN/m ²	26.7 kN	670 N
Rolling Loads	75 x 25mm 10 passes	150 x 50mm 10,000 passes		200 x 75mm 750,000 passes
	6.6 kN	5.6 kN		2.25 kN

Heavy Industrial Grade: SC 8.8kN

Panel Grade	Concentrated Load	Uniform Load	Ultimate Load	Impact Load
Extra Heavy Grade	8.8 kN	24 kN/m ²	31.1 kN	670 N
Rolling Loads	75 x 25mm 10 passes	150 x 50mm 10,000 passes		200 x 75mm 1,000,000 passes
	8.8 kN	8.0 kN		2.25 kN

Super Industrial Grade: SC 11kN

Panel Grade	Concentrated Load	Uniform Load	Ultimate Load	Impact Load
Super Industrial Grade	11 kN	28.2 kN/m ²	35.9 kN	670 N
Rolling Loads	75 x 25mm 10 passes	150 x 50mm 10,000 passes		200 x 75mm 1,000,000 passes
	11 kN	10 kN		2.25 kN

Testing Data:

- The above results have been obtained from independent testing and have been tested in accordance to AS4154-1993 (General Access Floor (Elevated Floors)) and CISCAs strict guidelines and regulations.
- As stated in the standards, the above mentioned panel deflection must not exceed 2.4mm based on a 24hr testing. In addition to this the above working loads for each panel carries a safety factor of 3 x the working load.

All ASP products are thoroughly tested and certified by qualified engineers. If you require further information please contact the technical team at ASP on (02) 9620 9915 or visit our contact page on www.aspfloors.com.au